

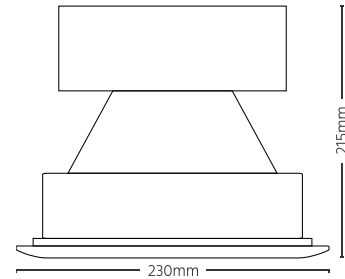
Notes

- Install in a dry sheltered position
- Installation should only be performed by a qualified professional
- Install in accordance with all appropriate wiring standards
- DALI is not SELV and needs to be wired accordingly
- Never connect a LED fitting to a driver that is powered. Doing so may result in damage to the LED.
- Always make sure the output voltage range and output current of the LED driver match the requirements of the LED fitting. Failure to do so may result in damage both the driver and fitting.
- The light source contained in this luminaire shall only be replaced by the manufacturer or his service agent or a similar qualified person.
- Do not install under mechanical stress.
- Please be aware that while the system has a very long operational life, faults may still occur, and provision needs to be made for maintenance.
- Always turn off power before working on fitting.



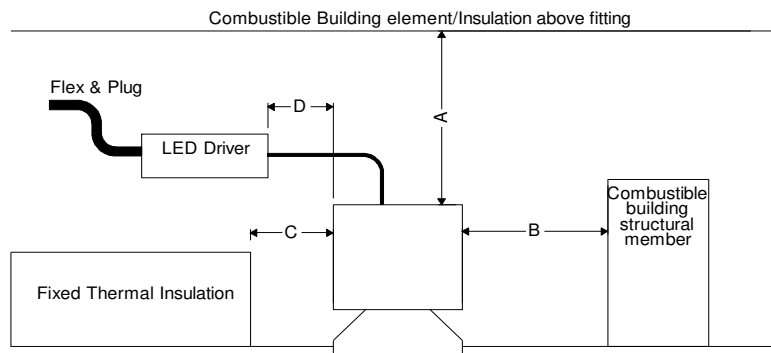
Specifications

		Units
Dimensions	230 x 169	mm
Weight	2.9	kg
Cut out Size	195	mm



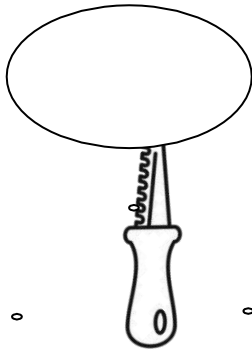
Clearance Information

RISK OF OVERHEATING OR FIRE IF THE CLEARANCE DISTANCES ARE COMPROMISED.

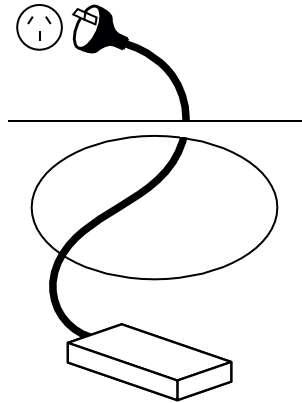


A	Minimum distance from the top of the luminaire to any normally flammable building element or insulation	100mm
B	Minimum distance from the side of the luminaire to any normally flammable building element	40mm
C	Minimum distance from the side of the luminaire to any building insulation	40mm
D	Minimum distance from side of luminaire to drive gear	40mm

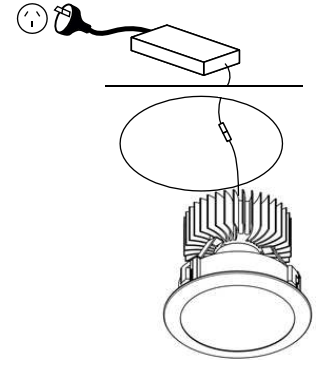
Installation



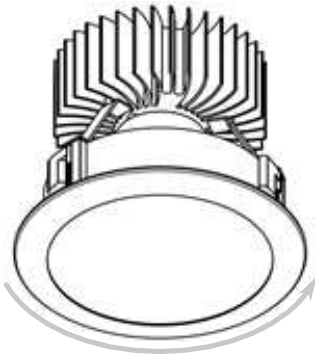
1. Cut a hole in the ceiling at specified size.



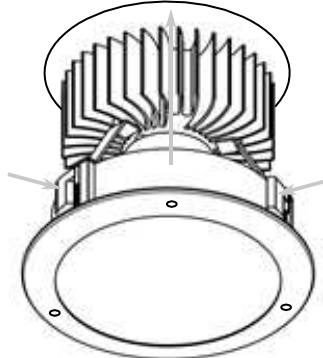
2. With mains circuit off, connect driver to mains.



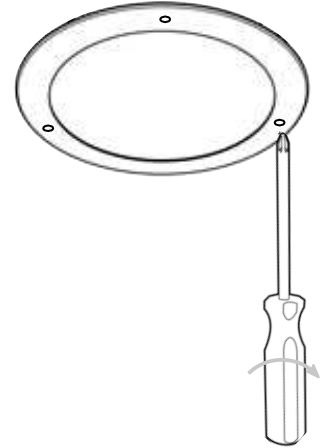
3. Connect lead from driver to luminaire and place driver in ceiling. Power can now be turned on to test the fitting if desired.



4. Turn front trim anti-clockwise to remove it.



5. Turn mounting supports flat against body. Feed the luminaire through the hole.



6. Reattach the front trim by turning clockwise.

Note: Drivers should not be covered. Drivers rely on convection air flow for cooling and covering them may cause them to enter thermal regulation.

For any technical information relating to the connection of these luminaires to dimming systems, refer to LED products at www.digilin.com.au