

ICON-812

Second Generation Solid State Downlight

870 lumens*



The ICON-812 is the latest downlight from Digilin. It boasts 870 LED lumens* from 7 state-of-the-art Nichia LED's, whilst still retaining a 70% maintained life after 50,000 hours of operation. This life span is achieved through sophisticated temperature control

An authentic alternative to the 50mm halogen (MR16) 35watt light fitting

Unsurpassed lens optics set this product apart from others that have congested the market place in recent years. Digilin lens technology is well known throughout the world, and is second to none



Beam spread versions are focused Narrow 22°, soft edged Wide 36° and Flood 60°

This design provides for a flush fixed and adjustable fitting in the one downlight

Please request a demonstration, you will be surprised just how far Digilin has progressed with LED luminaire technology



Quick Specs

Power consumption 12 watts

Lumen's produced - 870; *please see photometric data for completed figures*

Colour Temperature - 2800 to 3200 degrees Kelvin

Dimmable - 1 - 10v or Dali drivers available

**DESIGNED AND MANUFACTURED
IN AUSTRALIA**

Please see rear of brochure for full specifications

Note—Please see 'www.digilin.com.au' or the relevant data sheets for full details, specs and driver options Specifications subject to upgrades and/or changes without notice.



At the Forefront of LED and Fibre Optic Technologies since 1980

QLD: 37 Oxford St, Bulimba 4171
NSW: 2/7 Burton Avenue, Northmead 2152

Ph: +617 3899 1267 Fax: +617 3899 1261
Ph: +612 9688 7918 Fax: +612 9688 7219

www.digilin.com.au
Mobile: 0412 454 876

Copyright © 2008 Digilin Australia ABN: 44078278449 Ver 1.6 31-8-2009

ICON-812

Second Generation Solid State Downlight

870 lumens*



Specifications

Beam Spreads

22 degree

36 degree

60 degree

*Beam angle is defined as total beam to 50% peak intensity

Finish

Powder Coat: White

*Powder Coat: other colours to order

*Anodised: Silver to order

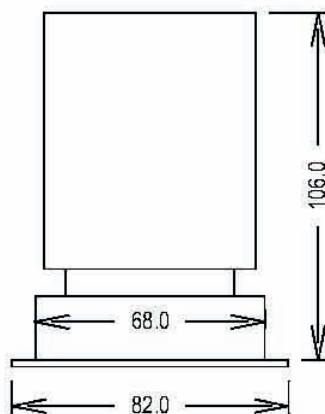
*Anodised: other colours to order

Body and trim: Machined aluminium

Heatsink: Extruded aluminium

Adjustment Angle

+ / - 28 degrees



Hole size cut-out 70mm

Thermal Management

Digilin's thermal design is engineered to accelerate the removal of heat from the LED junction into an effective heatsink to ensure the LED manufacturer's claimed life is achieved

LED

Typical LED lumens* 870 @ 3200k (Ta=25°C)
(IES photometric data available)

Colour Temperature

Warm White 3200K,

Lifespan—Lumen Maintenance

70% remaining at 50 000 hrs (L70) running in max ambient temp of 40°C

Recommended Operating Temp

-10°C to +40°C

Weight

400g

Shipping Weight and Dimensions

680g with LPC Power supply

135mm x 115mm x 95mm

Electrical

550mA Constant Current at 24V nominal

Power Supply

Dimming 0-10v: Digilin code LPC-OT18-550

Non dimming: Digilin code LPC-24550

Dali dimming drivers availability, contact Digilin for full details

Selection Specification—How to Order

Model	LED Colour Temp	Beam Spread	Finish
ICON-812	WW: Warm White 3200K NW: Neutral White 4300K** CW: Cool White 6000K** **to special order only 3200k is standard	22: Narrow 22° 36: Wide 36° 60: Flood 60°	W: White S: Silver** SP: Special colour** (specify) **to special order only white is standard

Example order number: ICON 812 warm white LED, wide beam, white finish = ICON 812-WW-36-W

Note—Please see 'www.digilin.com.au' or the relevant data sheets for full details, specs and driver options Specifications subject to upgrades and/or changes without notice.



At the Forefront of LED and Fibre Optic Technologies since 1980

QLD: 37 Oxford St, Bulimba 4171
NSW: 2/7 Burton Avenue, Northmead 2152

Ph: +617 3899 1267
Ph: +612 9688 7918

Fax: +617 3899 1261
Fax: +612 9688 7219

www.digilin.com.au
Mobile: 0412 454 876

Copyright © 2008 Digilin Australia ABN: 44078278449 Ver 1.6 31-8-2009