

MicroPower LED Strip Specifications & Installation Guide



A LED strip utilising closely positioned LEDs to produce a very smooth light, without bright spots, reproducing the look and feel of neon.



Specifications

Digilin Stock Code

MP500-cc

JMPdddd-cc-x (in Javelin extrusion)

Where dddd is length (in mm)

cc is colour

x is Javelin cover/diffuser

Input Power

24V DC, 275mA



Safety Notes

Do Not exceed rated maximum voltage

Check supply circuit before energising

Do Not connect separate power drivers together

Turn off before cleaning

Clean only with non-Conductive brush

29 August 2008

Document Rev: 1.0

Digilin Pty Ltd

A.C.N. 078 278 449

37 Oxford St

Bulimba, Qld 4171

Australia

www.digilin.com.au

Ph +617 3899 1267 Fax +617 3899 1261

©2008 Digilin Australia. Colour Theme Controller is a trademark of Digilin Australia. Product specifications are subject to change without notice.

At The Forefront of Electronic & Fibre Optic Lighting Technologies

Table Of Contents

Specifications.....	2
Power Driver Maximum Load.....	2
Javelin Covers.....	3
Dimensions.....	3
MicroPower Strip.....	3
Javelin Extrusion.....	3
Installation.....	4
Mounting.....	4
Mounting the Javelin Extrusion.....	4
Wiring.....	4
Maintenance.....	4
Wiring Diagram.....	4

Specifications

Drive Voltage	Nominal	24VDC
	Min	20VDC
	Absolute Maximum	30VDC
Drive Current	Per strip	275mA
	Per metre	560mA
Watts	Per strip	6.6W
	Per metre	13.2W
Beam Angle		110°
Maximum run from power connection (TBC)	Strips	16
	Metres	8

The strip must be mounted on a metal substrate for heat dissipation

Digilin Part Code	Colour	Lumens per	
		Strip	Metre
MP500-WW	Warm White	220	440
MP500-CW	Cool White	253	506
MP500-B	Blue	47	94

Note that the Javelin covers/diffusers may reduce the light output from the strip

Power Driver Maximum Load

Power Driver	Rated		Recommended Max Current (continuous)	Max Load	
	Power	Current		Strips	Metres
LPC-ES25B24-P1J	25W	1.04A	0.99A	3	1.5
LPC-GPA-451DA-24	45W	1.9A	1.8A	6	3
LPC3114E-24	150W	6.5A	6.2A	22	11
LDMX-PWM-3	144W	3 x 2A	3 x 2A	3 x 7	3 x 3.5

The LDMX-PWM-3 requires an external 24V power supply (LPC3114E-24).

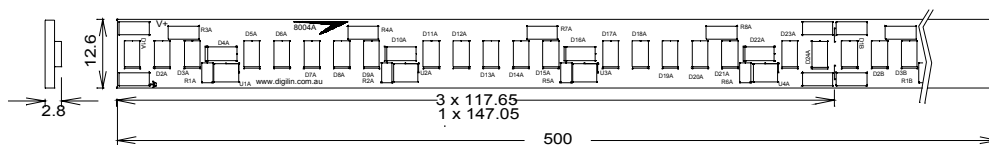
Javelin Covers

Stock Code	Description	Effect
O	Opal Diffuser	Solid white cover to create the smoothest linear effect
F	Frosted Diffuser	Semi-transparent cover
C	Clear	Transparent Cover
30	Clear 30° Linear Lens	Lens focusing light at 30° along length axis
60	Clear 60° Linear Lens	Lens focusing light at 60° along length axis
90	Clear 90° Linear Lens	Lens focusing light at 90° along length axis

Dimensions

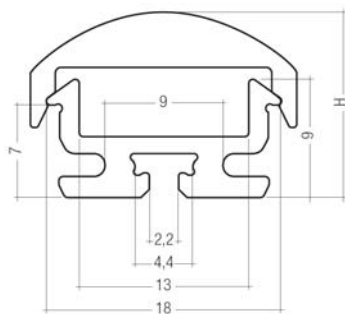
All measurements in mm.

MicroPower Strip

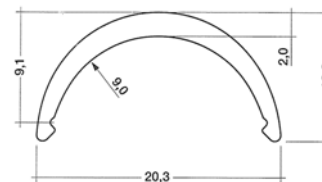


Strip has 3 segments at 117.65mm & 1 segment at 147.05mm

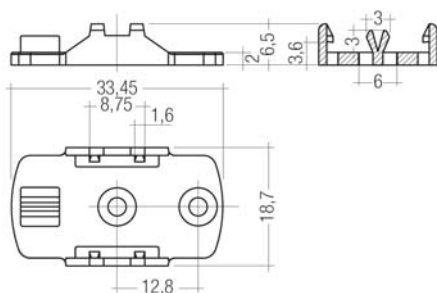
Javelin Extrusion



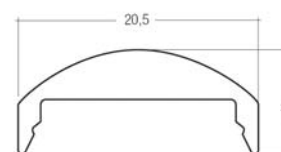
Javelin Extrusion (shown with Lens)



Javelin Cover/Diffuser



Javelin Mounting Clip



Lens	H
30°	11
60°	10
90°	9

Javelin Linear Lens

Installation

Mounting

- The strip must be mounted on a metal substrate for heat dissipation
- Do not install where water or high humidity may be present without further protection. Note that the Javelin extrusion is **NOT** sealed.
- Do not mount with the components or board touching any flammable surfaces.
- Do not install under mechanical stress
- Allow for expansion due to changes in temperature.
- Please be aware that while the system has a very long operational life, faults may still occur and provision needs to be made for maintenance.

Mounting the Javelin Extrusion

To mount the Javelin extrusion, simply screw the mounting clips to the surface, and then push the extrusion into the clips.

Recommended Screw: M2.5 screws

or

Self tapping screws with a diameter of 2.2 to 2.9mm and a screw head height of no more than 2.2mm

1 clip for every 0.5m of extrusion required. Minimum of 2 clips.

Wiring

- No continuous run of strips should exceed the specified maximum run value without additional power feeds.
- Only join strips powered by the same supply

Maintenance

- Strips normally require no maintenance except for cleaning
- Isolate from power before accessing
- Visually inspect strips at the time for any obvious faults
- The strips may be dusted with a non conductive brush. No fluids should be used
- If this procedure does not remove contaminants please contact Digilin for further advice.

Wiring Diagram

